



Water Temperature Controller Type 95 E 6/9 S4

New!

- SSRs Original Mount
- Enhanced thermal insulation



Optional rear pressure gauge



TECHNICAL FEATURES

Type	95 E 6 S4	95 E 9 S4
Medium	Water	
Maximum Temperature °C	90	
Heating Capacity kW	6	9
Power control	Solid State Relays	
Nb Heating Stages	1	
Cooling Technology	Coil	
Cooling Power * kW	20	
Pump Type	Submersible	
Maximum Throughput l/min	60	
Maximum Pressure bar	3,5	
Leak-Stop Function	Yes	
Filling	Automatic	
Filling Volume liter	8,2	
Expansion Volume liter	2,2	
Control and Regulation	Microprocessor	
Voltage	400V - 3Ph+earth - 50Hz	
Weight (empty) kg	25	26
Dimensions l x w x h (mm)	542 x 270 x 498	

Options

- 1) Pressure gauge pack
- 2) Remote Alarm
- 3) Communication RS 485 / TTY / Modbus / Profibus
- 4) Plate heat exchanger
- 5) Flowmeter
- 6) Manifold Multi - Inlets / Outlets
- 7) Lateral door color



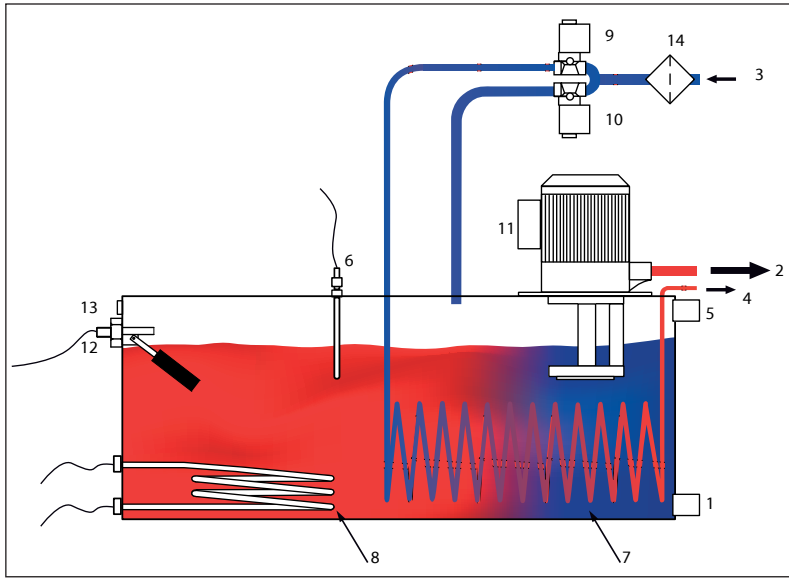
* Water 10°C - Maximum Process Temperature





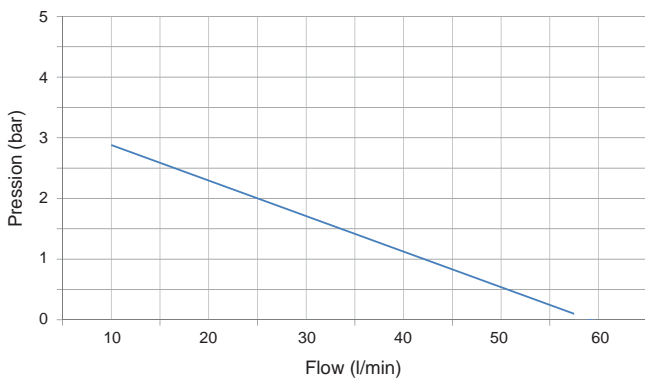
HYDRAULIC CIRCUIT

Type 95 E 6/9 S4

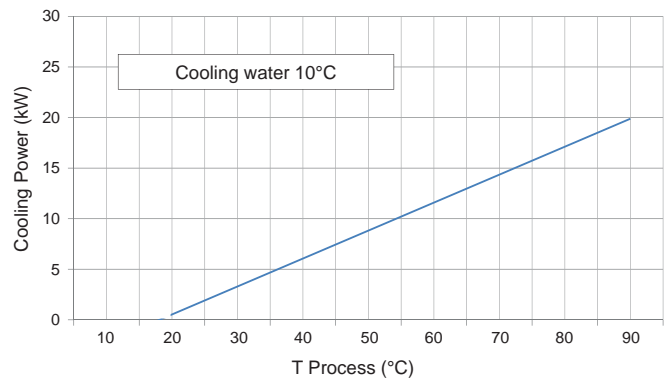


- 1 - TOOL RETURN
- 2 - TOOL OUTLET
- 3 - INLET - COOLING WATER
- 4 - OUTLET - COOLING WATER
- 5 - OVERFLOW
- 6 - TEMPERATURE SENSOR
- 7 - COOLING HEAT EXCHANGER
- 8 - HEATING ELEMENTS
- 9 - SOLENOID VALVE - COOLING WATER
- 10 - SOLENOID VALVE - FILLING
- 11 - PUMP
- 12 - LEVEL SENSOR
- 13 - SAFETY THERMOSTAT
- 14 - FILTER

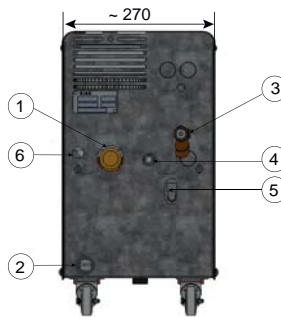
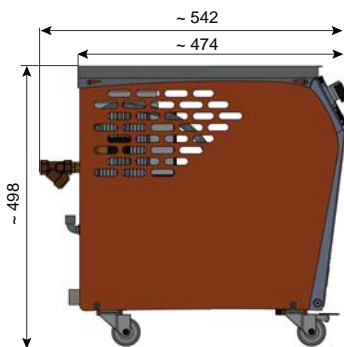
PUMP PERFORMANCE



COOLING CAPACITY



DIMENSIONS



1	Tool outlet 3/4" female
2	Tool return 3/4" male
3	General water supply 1/2" female (600 micron sieve filter)
4	Outlet cooling water 1/4" female
5	Overflow 1/4" female right angle
6	Power supply (3 m)

